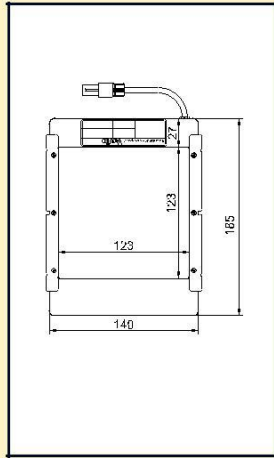
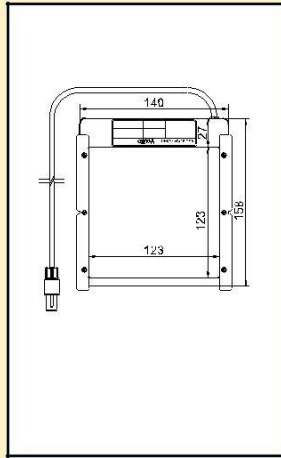


# VacuDAP – Dimensions

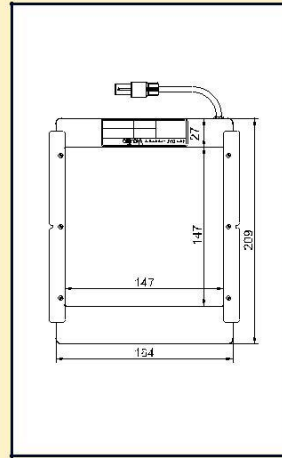
## Ionization chambers (rectangular)



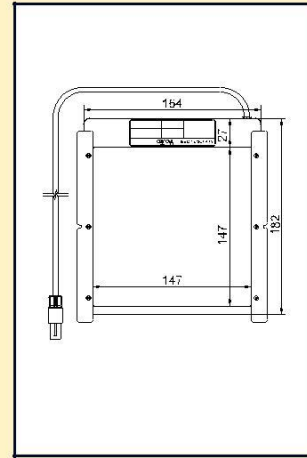
156 00 05 / 156 00 14 / 456 00 14



156 00 10 / 156 00 15 / 456 00 15



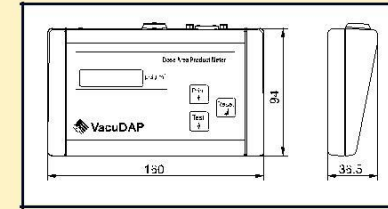
158 00 05 / 158 00 14 / 458 00 14



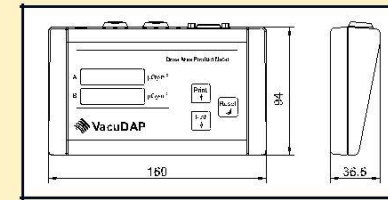
157 00 15 / 158 00 15 / 458 00 15

(fixing at various collimators due to individual fixing rails, typical width: 147 mm, 150 mm, 170 mm, 176 mm)

## Display units



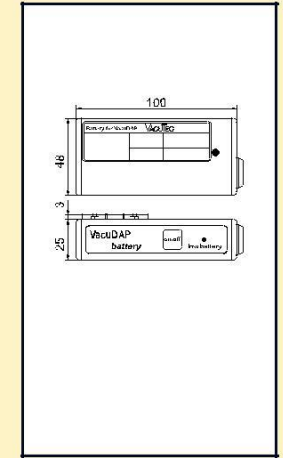
943 00 01



943 00 02

(connecting cables in different lengths available)

## Battery



950 00 64

# VacuDAP – System configurations

Form	rectangular											
Dimensions	active area: 123 mm x 123 mm, height: 18 mm						active area: 147 mm x 147 mm, height: 18 mm					
Measurement	DAP, DAP rate, time			DAP, DAP rate, air kerma, air kerma rate, time			DAP, DAP rate, time			DAP, DAP rate, air kerma, air kerma rate, time		
Interface	RS422 pulse interface	integrated display	integrated Bluetooth receiver	RS485 serial interface	integrated Bluetooth receiver	RS485 serial interface	RS422 pulse interface	integrated display	integrated Bluetooth receiver	RS485 serial interface	integrated Bluetooth receiver	RS485 serial interface
Transparency	light transparent											
VacuDAP Ionization chamber typ Part no.	2004 OEM 156 00 10	compact 156 00 05	Bluetooth® OEM 156 00 14	OEM 156 00 15	Bluetooth® duo OEM 456 00 14	duo OEM 456 00 15	2004 OEM 157 00 15	compact 158 00 05	Bluetooth® OEM 158 00 14	OEM 158 00 15	Bluetooth® duo OEM 458 00 14	duo OEM 458 00 15
Possible display units (a)(b) Part no.	-	secondary display unit 9430001	Bluetooth® 943 0006	standard 943 00 01 twin <sup>(1)</sup> 943 00 02 fluoro <sup>(2)</sup> 943 00 04	Bluetooth® duo 943 0007	duo 943 00 03	-	secondary display unit 9430001	Bluetooth® 943 00 06	standard 943 00 01 twin <sup>(1)</sup> 943 00 02 fluoro <sup>(2)</sup> 943 00 04	Bluetooth® duo 943 00 07	duo 943 00 03
Battery option (Part no. 950 00 64)	-	X	X	-	X	-	-	X	X	-	X	-

(a) all displays have a serial interface RS232 for interfacing a PC or printer

(b) voltage supply for the display powers the whole VacuDAP system

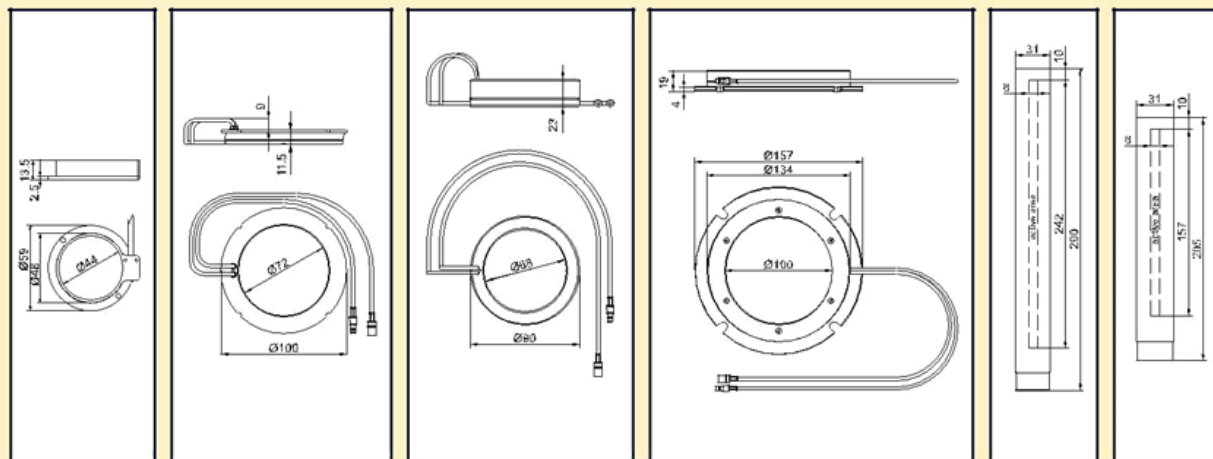
(1) two chambers connected to one display unit

(2) simultaneous displays of DAP and DAP rate during irradiation

DAP: Dose Area Product

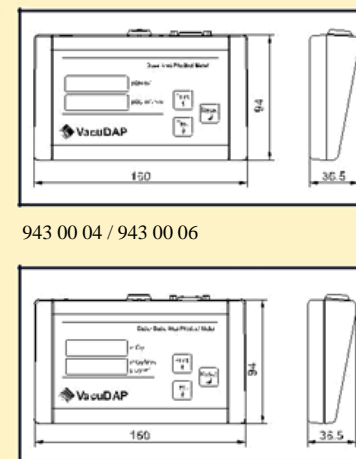
# VacuDAP – Dimensions

## Ionization chambers



159 00 08      159 00 12 / 161 00 xx      159 00 01      159 00 13      160 00 01      160 00 02

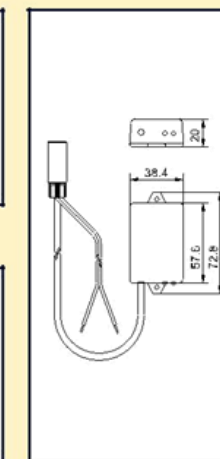
## Display units



943 00 04 / 943 00 06

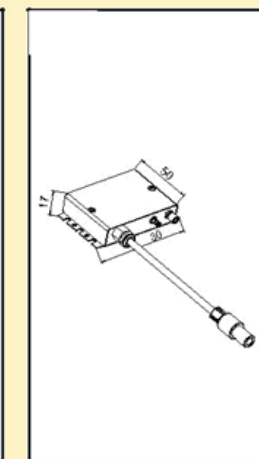
943 00 03 / 943 00 07

## Adapter Bluetooth®



943 00 41

## DAP - C Electronics



922 00 xx

# VacuDAP – System configurations

Form	circular			rectangular		circular	
Dimensions	active diam: 68 mm, height: 23 mm	active diam: 44 mm, height: 16 mm	active diam: 72 mm, height: 11,5 mm	active diam: 100 mm, height: 23 mm	active area: 242 mm x 8 mm, height: 20 mm	active area: 157 mm x 8 mm, height: 20 mm	active diam: 72 mm, height: 11,5 mm
Measurement				DAP, DAP rate, time			DAP, DAP rate, air kerma, air kerma rate, time
Interface				RS232 or RS485			
Transparency	light transparent	non transparent		light transparent		non transparent	
Ionization chamber typ <sup>(4)</sup> Part no.	VacuDAP - C 159 00 01 + 922 00 xx	VacuDAP - C 159 00 08 + 922 00 xx	VacuDAP - C 159 00 12 + 922 00 xx	VacuDAP - C 159 00 13 + 922 00 xx	VacuDAP - C 160 00 01 + 922 00 xx	VacuDAP - C 160 00 02 + 922 00 xx	VacuDAP - C duo 161 00 xx + 922 00 xx
Possible display units <sup>(a)(b)</sup> Part no.	fluoro <sup>(2)</sup> 943 00 04	fluoro <sup>(2)</sup> 943 00 04	fluoro <sup>(2)</sup> 943 00 04	fluoro <sup>(2)</sup> 943 00 04	fluoro <sup>(2)</sup> 943 00 04	fluoro <sup>(2)</sup> 943 00 04	duo 943 00 03
	Bluetooth <sup>®</sup> (3) 943 00 06	Bluetooth <sup>®</sup> (3) 943 00 06	Bluetooth <sup>®</sup> (3) 943 00 06	Bluetooth <sup>®</sup> (3) 943 00 06	Bluetooth <sup>®</sup> (3) 943 00 06	Bluetooth <sup>®</sup> (3) 943 00 06	Bluetooth <sup>®</sup> duo <sup>(3)</sup> 943 00 07

(a) all displays have a serial interface RS232 for interfacing a PC or printer  
 (b) voltage supply for the display powers the whole VacuDAP system

(3) additional Adapter Bluetooth<sup>®</sup> at DAP - C Electronics has to be used, Adapter Bluetooth<sup>®</sup> has to be powered with 10..30 V DC  
 (4) each VacuDAP - C chamber is equipped with a DAP - C Electronics (part no. 922 00 xx) providing interface RS232 or RS485