

RADON SWITCH

Model – RANDFAN-SX

FEATURES:

- AUTOMATES RADON MITIGATION SYSTEM
- PROTECTS STAFF & CLIENTS
- SAVES ELECTRICITY
- RANGE: 0.1-2,000 pCi/l (PicoCurries per lLiter)
- USER SETTABLE UNITS - PicoCi/L or Bq/m³ etc.
- OPTIONAL - TOTAL DAILY DOSE
- PROGRAMMABLE DIGITAL READOUT
- AC OPERATION WITH BATTERY BACKUP
- INTERNAL DATA STORAGE
- BUILT-IN HIGH LEVEL ALARM
- USE WITH PORTABLE PC AS 1 YEAR DATA BUFFER
- USER SETTABLE TRIP POINT
- AVAILABLE WITH BACNET COMPATIBLE COMMUNICATIONS
- **OPTIONAL: MULTI AREA RANDFAN-SX SYSTEM INCLUDES DATA OUPUT WITH TIME & DATE STAMP**



APPLICATION:

TA's RANDFAN-SX Radon Switch activates and/or controls Radon mitigation fans. It is a sensitive, rugged, instrument for detection and measurement of airborne radon. The RANDFAN-SX will trigger radon mitigation fans, close or open air vents, and/or alert staff. Inlet and outlet hoses allow monitoring room air or the interiors of fume hoods, exhaust stacks, etc.

DESCRIPTION:

The RANDFAN-SX Radon operates as a simple stand alone radon sensor controller to activate Radon mitigation fans and devices, fan controller, and alert staff.

The RANDFAN-SX will measure airborne radon as free Radon gas (with or without Radon Daughters at user's option) below 1 pCi/l. All data is stored.

- VERIFIES NEED FOR RADON MITIGATION DEVICES
- WIDE RANGE - DIGITAL ACCURACY
- SENSITIVE FOR OCCUPATIONAL EXPOSURE
- BLOCKED AIR INTAKE ALARM
- BUILT-IN COMPUTER INTERFACE

All instruments are calibrated at the factory. Calibration check may be performed in the field with a microCurie level Beta-Gamma source. Chamber may be checked for linearity of response on a Gamma calibration range. User friendly calibration controls are provided.



TECHNICAL ASSOCIATES
OVERHOFF TECHNOLOGY

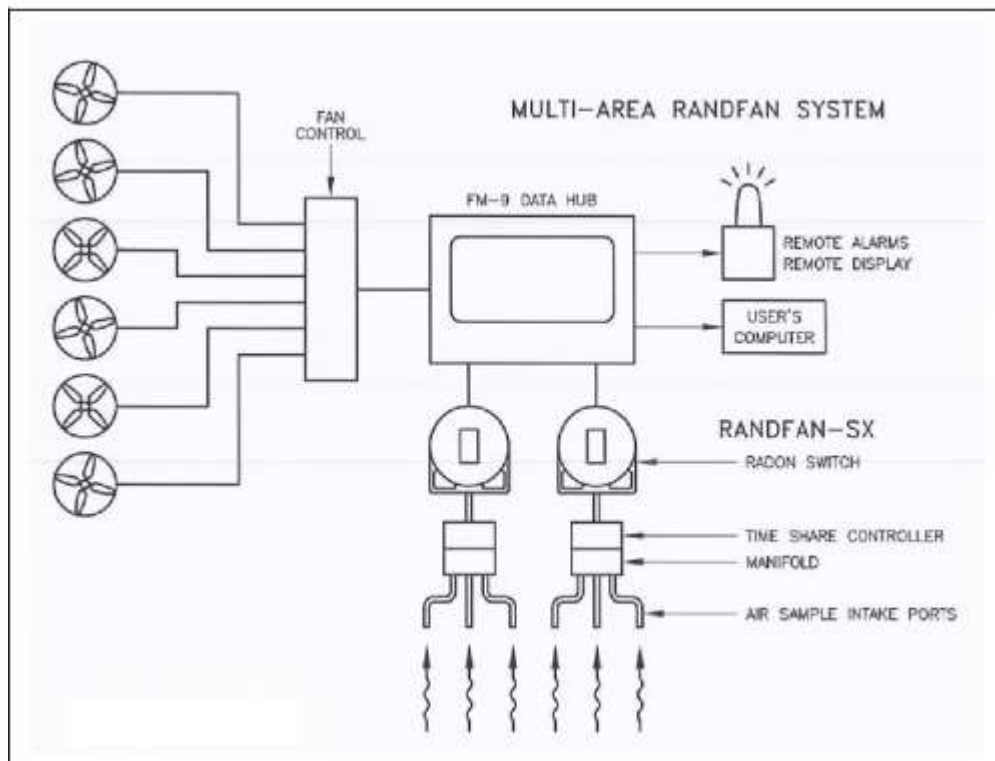
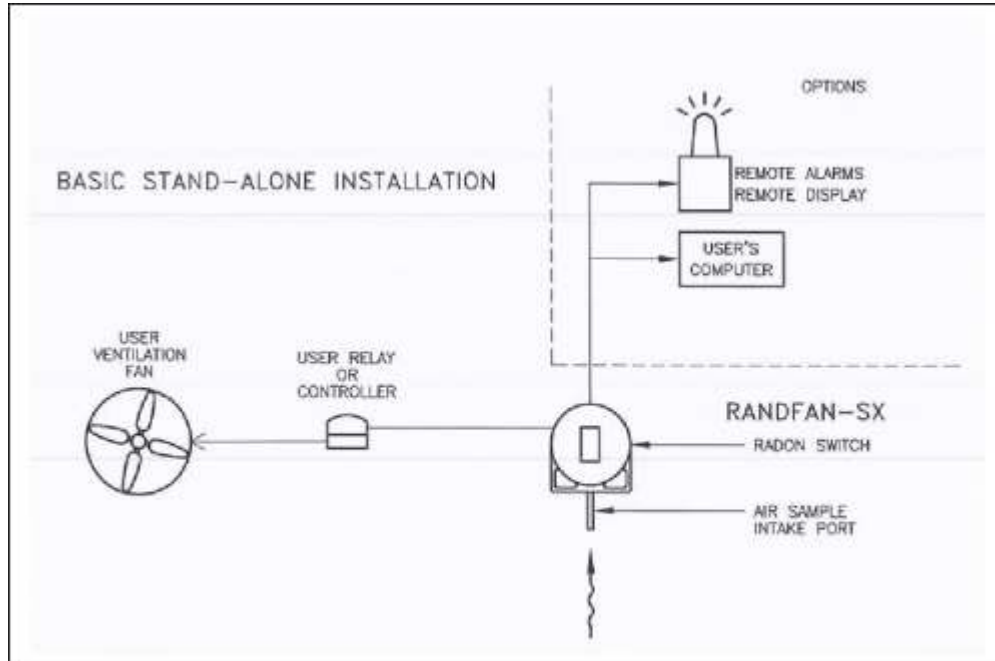
Divisions of  US NUCLEAR CORP

 **Active Radsys**

W: www.activeradsys.it Tel: 0544 408071
E: info@activeradsys.it Fax: 0544 201477

RADON SWITCH

Model – RANDFAN-SX



RADON SWITCH

Model – RANDFAN-SX

SPECIFICATIONS:

- **Ranges:** Large, easy to read digital LED readout. 0.1 to 2,000 pCi/L
- **Smoke, Dust and Ion Elimination:** Filter and deionizer reduce effects to negligible level.
- **Circuit:** Electrometer circuit amplifies 300 ml radon internal chamber.
 - ❖ **OPTIONAL:** 1 liter chamber.
- **Alarms:** Low Air Flow / Alarm High Level Alarm: Red Lamps & Audio Alarm.
- **Front Panel Controls:** Off-On, Range Switch, Calibrate Switch. Alarm Set Button, Alarm Reset Button.
 - ❖ **OPTIONAL:** Tamper Proof Control Panel
- **Calibration:** Internal calibration with Radon gas, or on a calibration course, or (at a single point) with optional Beta-Gamma source or electronic calibration.
- **Computer Port:** RS-232 serial port is built in (fully addressable).
- **Case:** Rugged, weatherproof.

MULTI-AREA RANDFAN-SX SYSTEM:

- 2 or More RANDFAN-SX
- FM-9W Data Hub
- Fan Controller

OPTIONS:

- Multi-Inlet
- Manifold With Time Share Controller
- Remote Display

DIMENSIONS:

- **Stand Alone System Excluding handle:** 7" W x 11.25" H x 7.5" D
- **Wall Mount System:** 4.5"D x 10"H x 10"W
- **Weight:** 12 lbs
- **Shipping weight:** 15 lbs

ELECTRONICS

- **AC Power:** 100-240VAC
- **Battery Backup:** 10 Ah Rechargeable Battery; 24 hours between charges. (Standard)

ACCESSORIES & OPTIONS:

- **RAL-3A:** Remote Alarm (audible & visual) Model RAL-3A (includes 25 ft. of cable).
 - ❖ **OPTIONAL:** 500 ft Cable.
- **HTR-7:** Heated Ion Chamber
- **WIN-W:** Win-Wedge data logging software for users PC.



TECHNICAL ASSOCIATES

Divisions of  **US NUCLEAR CORP**



W: www.activeradsys.it Tel: 0544 408071
E: info@activeradsys.it Fax: 0544 201477